

Västgötaserien 4 150912 Lidköping U11 -37,7

Competitors: 6

Competitors A

#	Name	Grade	Club	1	2	3	Wins	Pts	Pos
1	Gunnar WALLGREN	5.kyu	Lidköping				0	0	3
2	Viggo GRANBERG	4.kyu	Borås	10		10	2	20	1
3	Svea WIKSTRAND	4.kyu	Skövde	10			1	10	2

Matches A

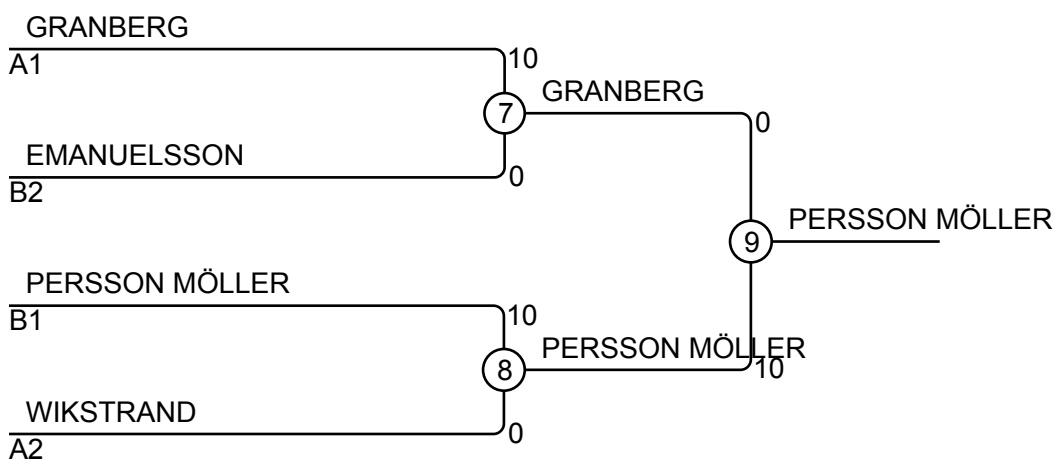
Match	White	Blue	Result	Time
1	Gunnar WALLGREN 1 2	Viggo GRANBERG	0 - 10	1:26
3	Gunnar WALLGREN 1 3	Svea WIKSTRAND	0 - 10	0:09
5	Viggo GRANBERG 2 3	Svea WIKSTRAND	10 - 0	1:29

Competitors B

#	Name	Grade	Club	4	5	6	Wins	Pts	Pos
4	Ajla KULO	5.kyu	Borås				0	0	3
5	Adrian PERSSON MÖLLER	4.kyu	Borås	10		10	2	20	1
6	Vanja EMANUELSSON	4.kyu	Skövde	7			1	7	2

Matches B

Match	White	Blue	Result	Time
2	Ajla KULO 4 5	Adrian PERSSON MÖLLER	0 - 10	0:21
4	Ajla KULO 4 6	Vanja EMANUELSSON	0 - 7	2:00
6	Adrian PERSSON MÖLLER 5 6	Vanja EMANUELSSON	10 - 0	0:15



Results

Pos	Name
1	Adrian PERSSON MÖLLER, Borås
2	Viggo GRANBERG, Borås
3	Vanja EMANUELSSON, Skövde
3	Svea WIKSTRAND, Skövde